


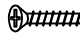
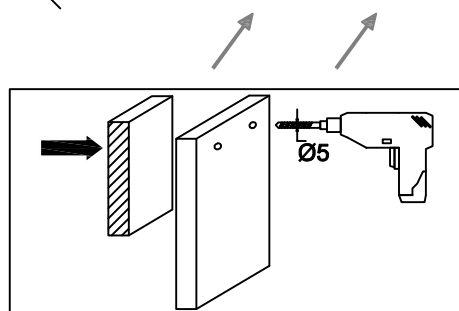
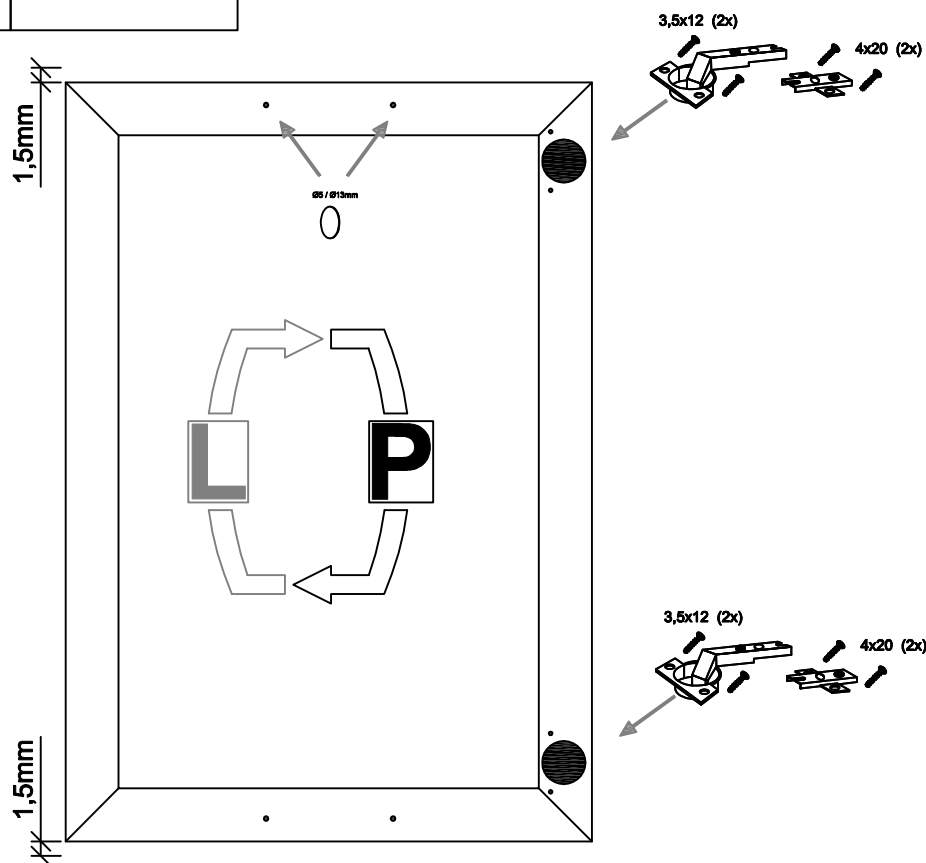
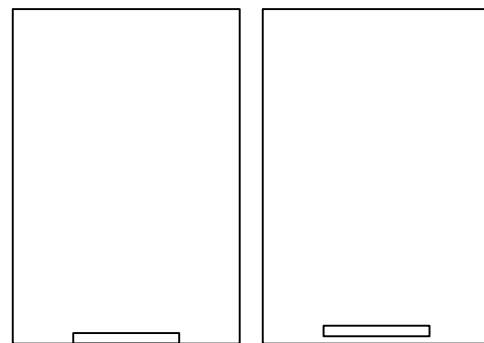
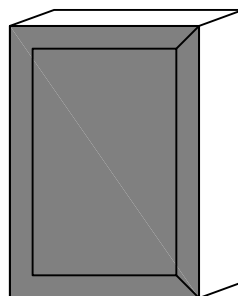


# F28 1D600 SKLO

<b>M</b>	x2	<b>J</b>	x4
		$\varnothing 5 / \varnothing 13\text{mm}$	
<b>P</b>	x4	<b>S</b>	x4
3,5x12mm		4x20mm	
			



**K12 HS600**  
V:720



**K6 DS600**

